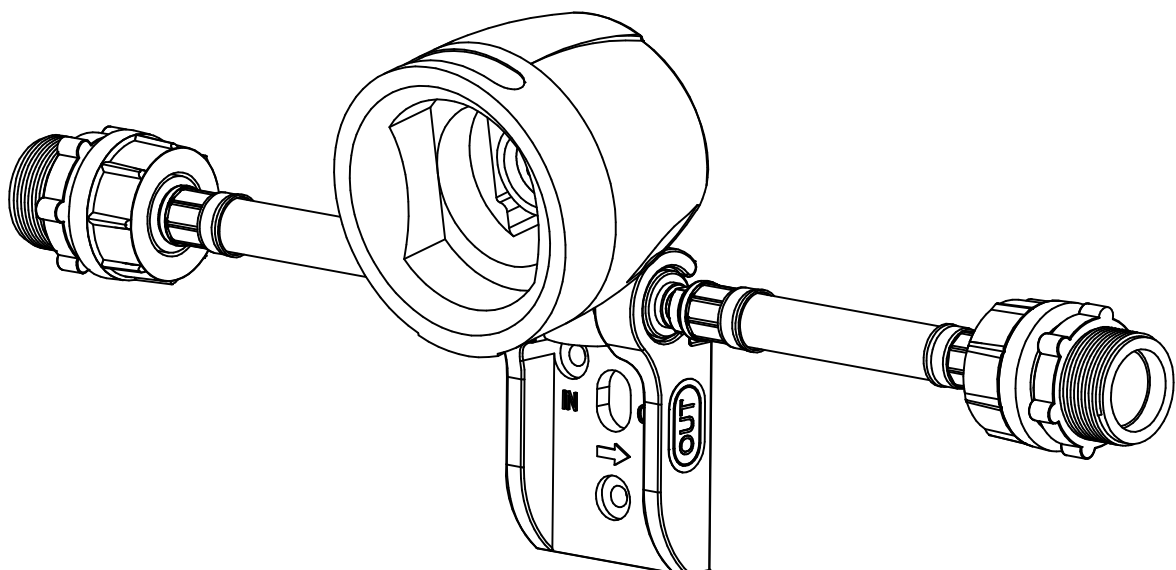


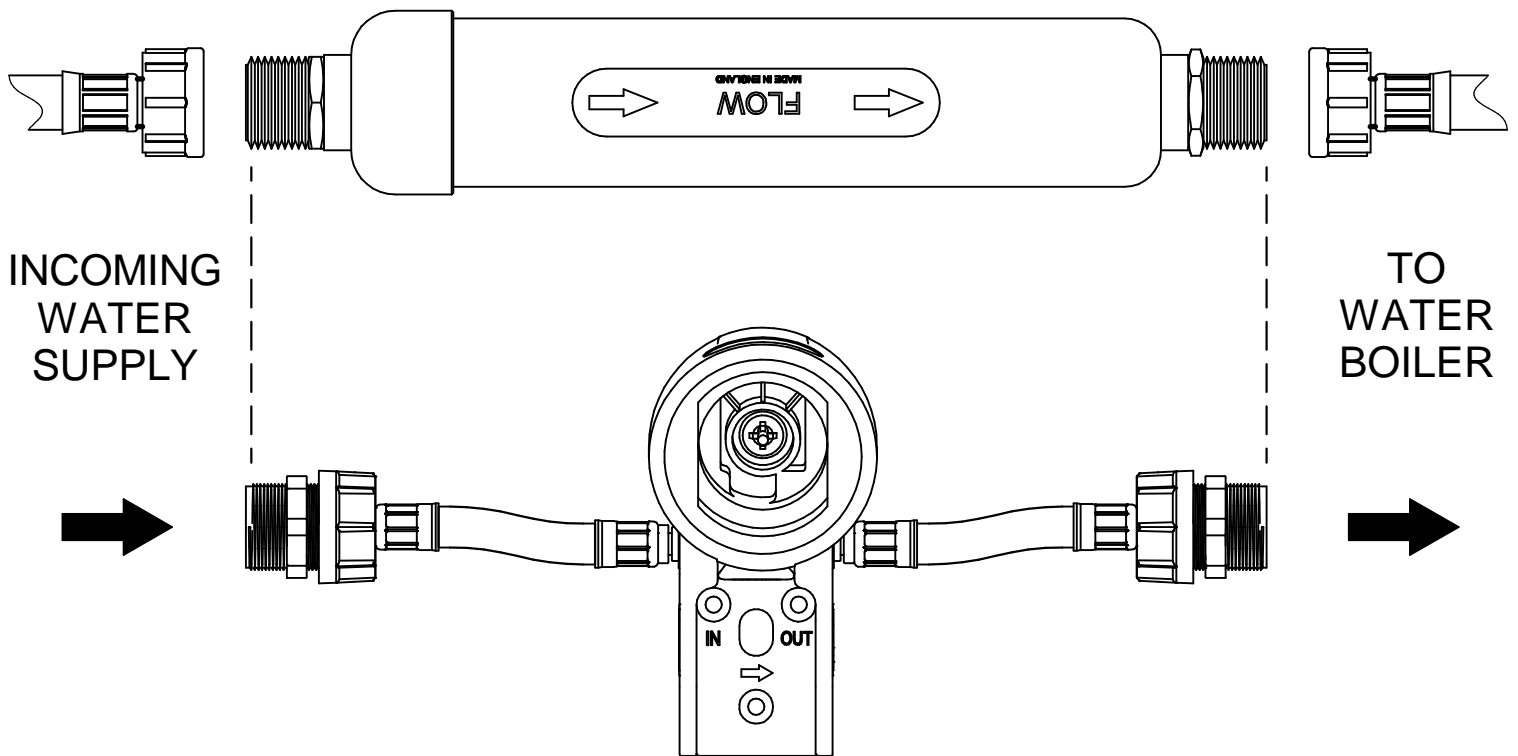
This kit converts an existing installation from a 10TOSC water filter to a CWFC1 type.

1. Switch off power to the water boiler
2. Isolate the water supply using the service valve on the 10TOSC supply hose
3. Remove the 10TOSC filter and unscrew its retaining clip from the wall
4. Remove the CWFC1 cartridge from its head by twisting and pulling downwards

5. Securely push-fit the two hoses (FAH) to the head and hinge the head upwards on its bracket to expose the 3 fixing holes, as shown below:



6. IMPORTANT: ensure correct direction of flow. Ideally, the CWFC1 filter should be orientated as shown in figure1. However, if your existing installation does not permit this, it can be positioned in other orientations **ENSURING THE DIRECTION OF FLOW IS CORRECT :**



7. Connect the new hoses in place of the 10TOSC filter, ensuring all water connections are tight. Fix the head bracket to the wall.

8. Twist-fit the new cartridge into the head. Open the service valve

To be effective, the filter cartridge must be replaced every 6000 litres or 6 months, whichever comes first. The head contains an automatic isolation valve which allows the cartridge to be removed without manually isolating the supply. Be aware that a small volume of water may be ejected.

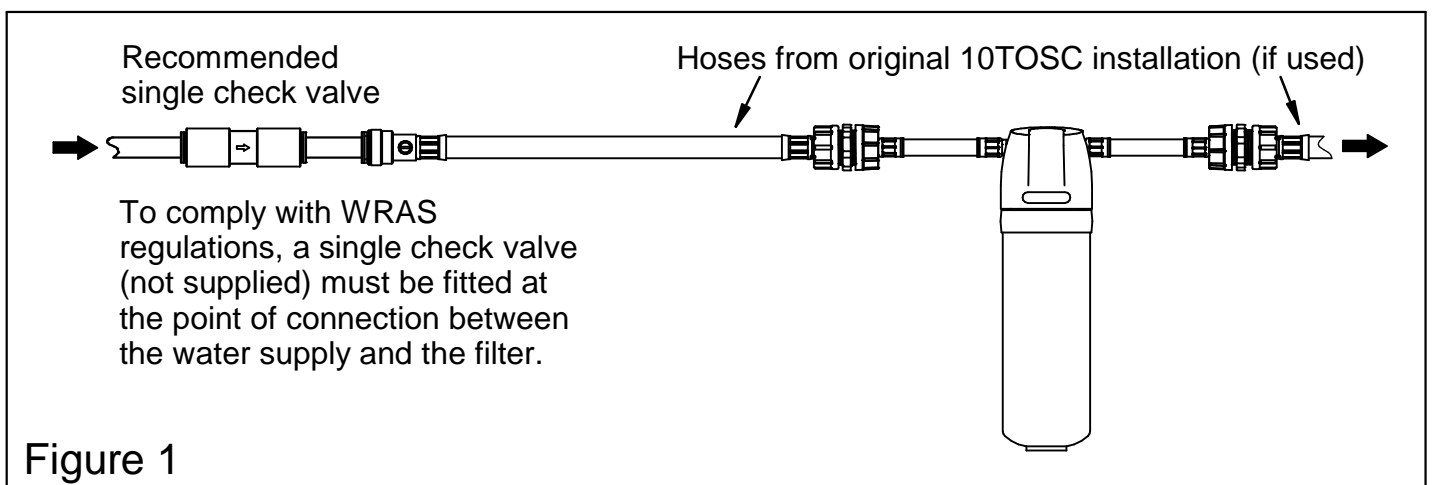


Figure 1